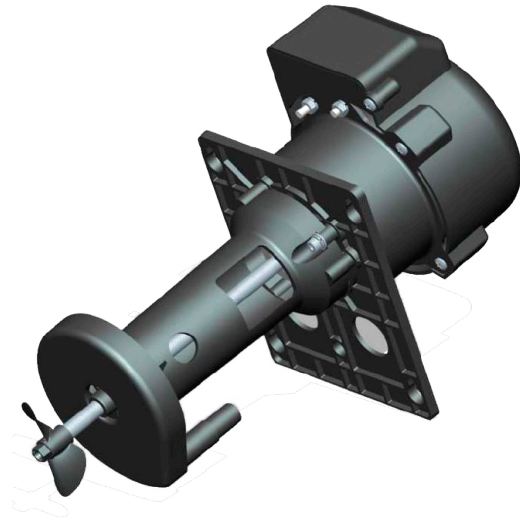


# Pump motors



## Pump motors

Power supply: 120 / 230-240 V, 50/60 Hz

Temperature range: -20 +85 °C

Output port: Plain 11/12.5 combined

Voltage, V	Frequency, Hz	Power, W	Max.Capacity, l/min	Max.hcad, m	Max. Specific gravity
120	50/60	70	15.8	6.2	1.2
220-240					

